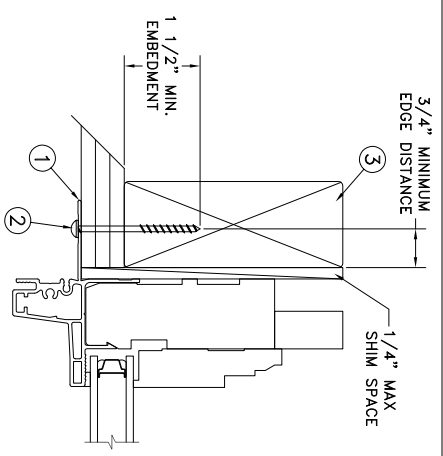
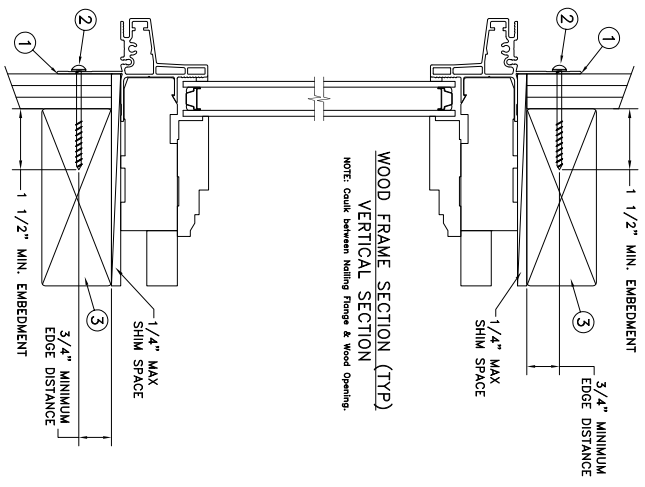
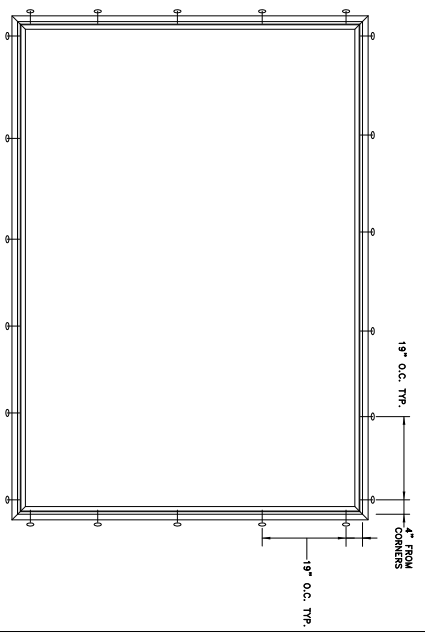


NAILPIN INSTALLATION



Max Frame	DP	IMPACT
120 X 84	+50/-55	NO

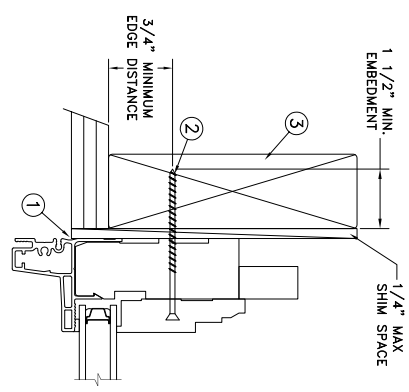
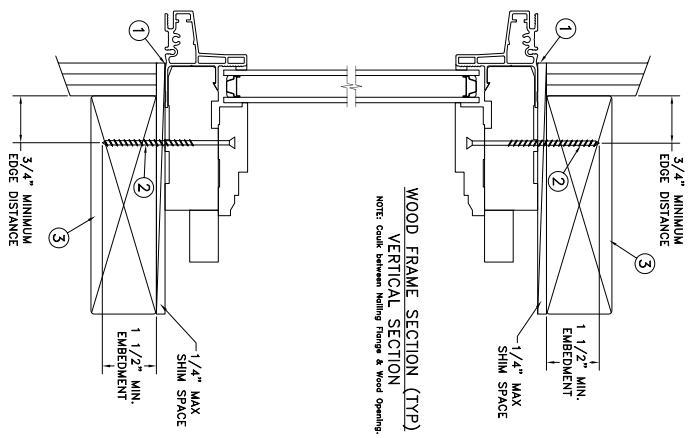
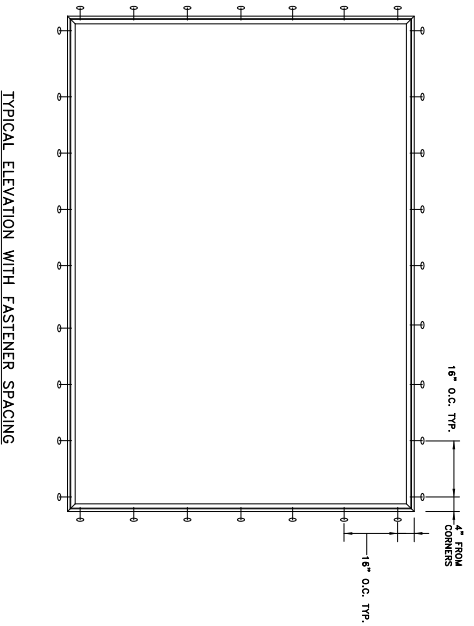
- Installation Notes:**
1. Seal flange/frame to substrate.
 2. Use #8 PH or greater fastener through the nailfin on all sides with sufficient length to penetrate a minimum of 1 1/2" into the wood framing. For 2x wood frame substrate (min. S.G. = 0.42)
 3. Host structure (wood buck, masonry, steel) to be designed and anchored to properly transfer all loads to the structure. The host structure is the responsibility of the architect or engineer of record for the project of installation.

- General Notes:**
1. The product shown herein is designed, tested and manufactured to comply with the wind load criteria of the adopted International Building Code (IBC), the International Residential Code (IRC), the Florida Building Code (FBC) and the Industry requirement for the stated conditions.
 2. All glazing shall conform to ASTM E1300.
 3. At minimum, glazing shall be double strength annealed insulating glass.
 4. Use structural or composite shims where required.

This schedule addresses only the fasteners required to anchor the window to achieve the rated design pressure and impact performance (where applicable) up to the size limitations noted. It is not intended as a guide to the installation process and does not address the sealing consideration that may arise in different wall conditions. For the complete installation procedure, see the instructions packaged with the window or go to www.jeld-wen.com/resources/installation.

DISCLAIMER:
This drawing and its contents are confidential and are not to be reproduced or copied in whole or in part or used or disclosed to others except as authorized by JELD-WEN Inc.

PROJECT ENGINEER:	DATE:	3737 LAKEPORT BLVD.
DRAWN BY:	08/07/2017	KLAMATH FALLS OR, 97601
J.HAWKINS	SCALE:	PHONE: (800) 535-3936
CHECKED BY:	NTS	
K.CAMPBELL	TITLE:	Custom Clad Direct Set Window
APPROVED BY:		
D.STOKES		
PART/PROJECT No.:		
D0006942		
IDENTIFIER No.:		
-		
PLANT NAME AND LOCATION:	CAD DWG. No.:	REV:
Bend-OR	CustClDsgl Cert	A
		SHEET



**THROUGH FRAME
INSTALLATION**

Max Frame	DP	IMPACT
120 x 84	+50/-55	NO

- Installation Notes:**
1. Seal flange/frame to substrate.
 2. Use #8 PH or greater fastener through the jamb on all sides with sufficient length to penetrate a minimum of 1 1/2" into the wood framing. For 2x wood frame substrate (min. S.G. = 0.42)
 3. Host structure (wood buck, masonry, steel) to be designed and anchored to properly transfer all loads to the structure. The host structure is the responsibility of the architect or engineer of record for the project of installation.

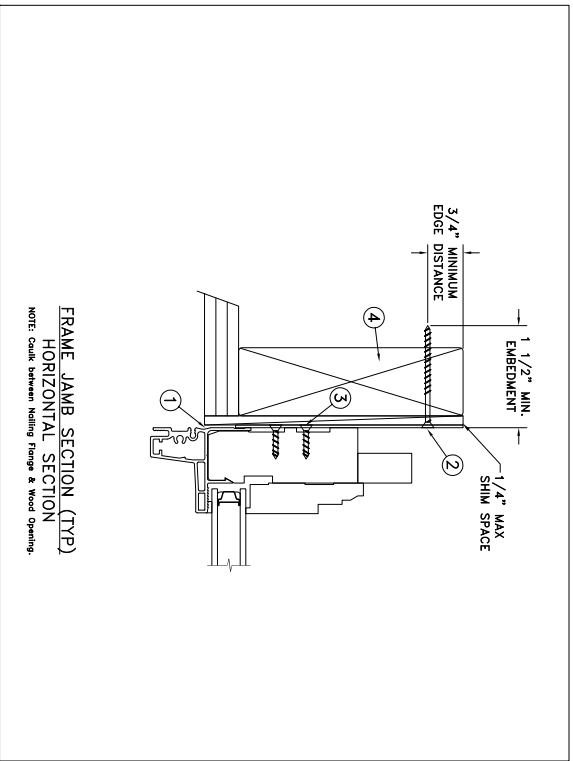
- General Notes:**
1. The product shown herein is designed, tested and manufactured to comply with the wind load criteria of the adopted International Building Code (IBC), the International Residential Code (IRC), the Florida Building Code (FBC) and the Industry requirement for the stated conditions.
 2. All glazing shall conform to ASTM E1300.
 3. At minimum, glazing shall be double strength annealed insulating glass.
 4. Use structural or composite shims where required.

This schedule addresses only the fasteners required to anchor the window to achieve the rated design pressure and impact performance (where applicable) up to the size limitations noted. It is not intended as a guide to the installation process and does not address the sealing consideration that may arise in different wall conditions. For the complete installation procedure, see the instructions packaged with the window or go to www.jeld-wen.com/resources/installation.

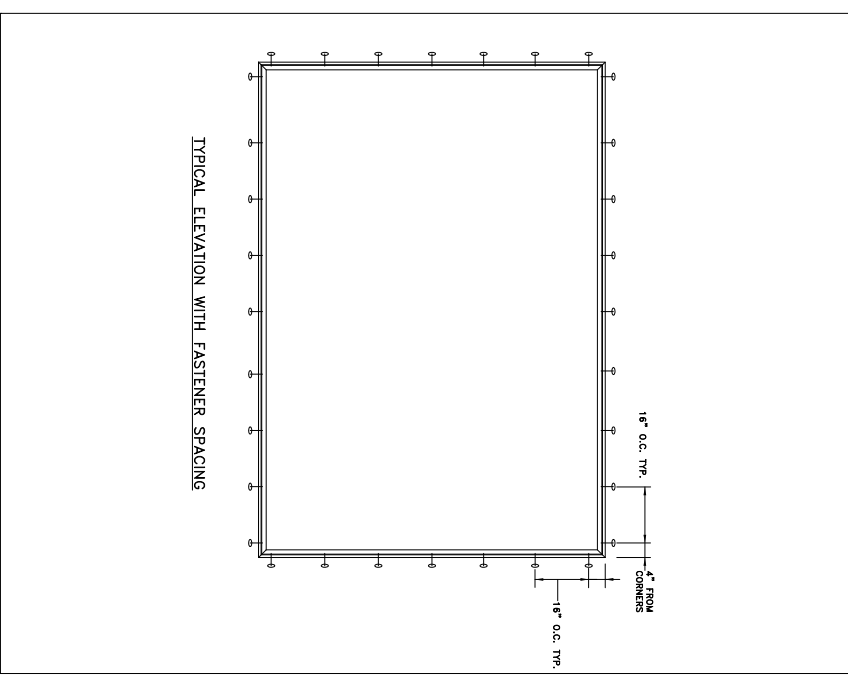
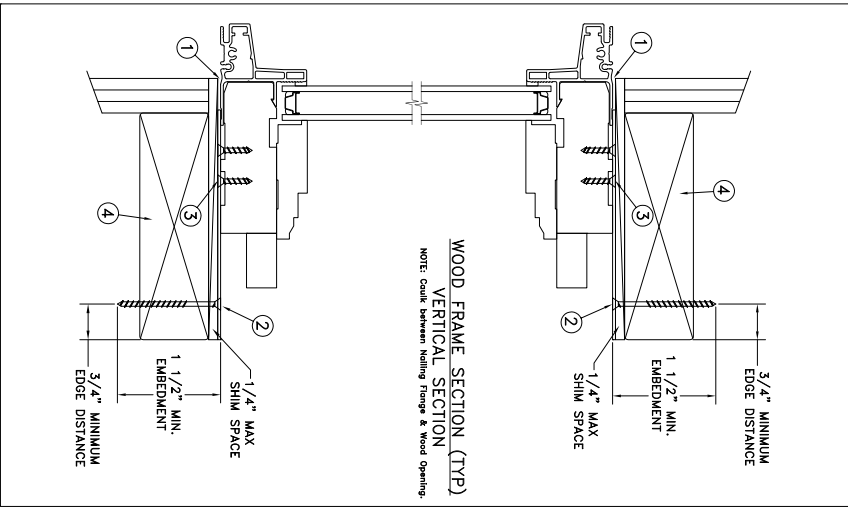
DISCLAIMER:
This drawing and its contents are confidential and are not to be reproduced or copied in whole or in part or used or disclosed to others except as authorized by JELD-WEN Inc.

PROJECT ENGINEER:	DATE:	3737 LAKEPORT BLVD.
DRAWN BY:	08/07/2017	KLAMATH FALLS OR, 97601
J.HAWKINS	SCALE:	PHONE: (800) 535-3936
CHECKED BY:	NTS	
K.CAMPBELL	TITLE:	JELD-WEN
APPROVED BY:		Custom Clad Direct Set Window
D.STOKES		
PART/PROJECT No.:		
D0006942		
IDENTIFIER No.:		
-		
PLANT NAME AND LOCATION:	CAD DWG. No.:	REV:
Bend-OR	CustCladSet Cert	A
		SHEET

MASONRY STRAP
INSTALLATION



Max Frame	DP	IMPACT
120 x 84	+50/-55	NO



- Installation Notes:**
1. Seal flange/frame to substrate.
 2. Use #8 PFH or larger fasteners through masonry strap with sufficient length to penetrate a minimum of 1 1/2" into the masonry or buck.. For 2x wood frame substrate (min. S.G. = 0.42).
 3. Use #8 PFH or larger fasteners through masonry strap into jamb without penetrating through the jamb into product causing visibility or collateral damage to product.
 4. Host structure (wood buck, masonry, steel) to be designed and anchored to properly transfer all loads to the structure. The host structure is the responsibility of the architect or engineer of record for the project of installation.

- General Notes:**
1. The product shown herein is designed, tested and manufactured to comply with the wind load criteria of the adopted International Building Code (IBC), the International Residential Code (IRC), the Florida Building Code (FBC) and the industry requirement for the stated conditions.
 2. All glazing shall conform to ASTM E1300.
 3. At minimum, glazing shall be double strength annealed insulating glass.
 4. Use structural or composite shims where required.

This schedule addresses only the fasteners required to anchor the window to achieve the rated design pressure and impact performance (where applicable) up to the size limitations noted. It is not intended as a guide to the installation process and does not address the sealing consideration that may arise in different wall conditions. For the complete installation procedure, see the instructions packaged with the window or go to www.jeld-wen.com/resources/installation.

DISCLAIMER:
This drawing and its contents are confidential and are not to be reproduced or copied in whole or in part or used or disclosed to others except as authorized by JELD-WEN Inc.

PROJECT ENGINEER:	
DRAWN BY:	J.HAWKINS
CHECKED BY:	K.CAMPBELL
APPROVED BY:	D.STOKES
PART/PROJECT No.:	D006942
IDENTIFIER No.:	-

DATE:	08/07/2017
SCALE:	NTS
TITLE:	

PLANT NAME AND LOCATION: **Bend-OR**

CAD DWG. No.: CustClD Seal Cert

REV: **A** SHEET

JELD-WEN 3737 LAKEPORT BLVD.
KIAMATH FALLS OR, 97601
PHONE: (800) 535-3936

Custom Clad Direct Set Window